

900&1800&2100MHz Triple-band Fiber Optic Repeater

Model: Fiber Link 308(Master Unit)

The Fiber Optic Repeater (FOR) is designed to solve problems of weak mobile signal in the place that is far away from the Base Transceiver Station (BTS) and has fiber optic cable network underground.

The system consists of two parts: Master Unit and Remote Unit. The Master unit captures the BTS signal via direct coupler closed to BTS, then converts it into optic signal and transmits the amplified signal to the Remote Unit via fiber optic cable. The Remote unit will reconvert the optic signal into RF signal and provide the signal to the areas where network coverage is inadequate. And the mobile signal is also amplified and retransmitted to the BTS via the opposite direction.



Features

- Tx/Rx control and alarm messages can be transmitted via one fiber optic cable
- Adopting WDM module to realize long-distance transmission
- Stable and improved signal transmission quality
- One Master Unit can support up to 8 Remote Units to maximize utilization of fiber optic cable
- RJ45 port provides a link to a notebook for local supervision or IP Based NMS (Network Management System) that can remotely supervise repeater's working status and download operational parameters to the repeater via Ethernet/LAN

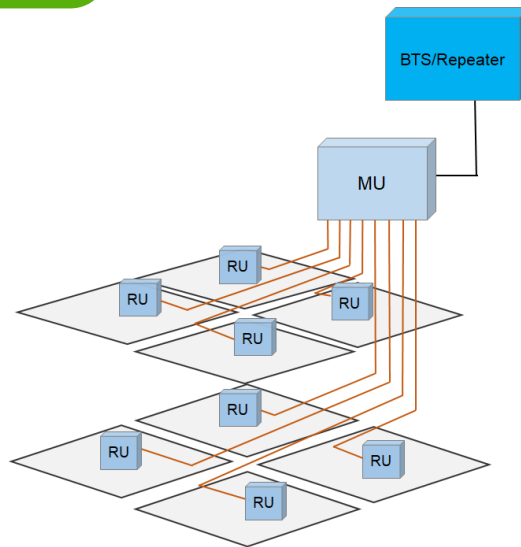
Applications

To expand signal coverage or fill signal blind area where signal is weak or unavailable.

Outdoor: Airports, tourism regions, golf courses, tunnels, factories, mining districts, villages, ...

Indoor: Hotels, exhibition centers, basements, shopping malls, offices, parking lots, ...

Application Diagram



Technical Specifications

Item	Specifications
System	UMTS/LTE900<E1800&UMTS/LTE2100
Working Frequency	Uplink 885~915MHz&1710~1775MHz&1920~1980MHz
	Downlink 930~960MHz&1805~1870MHz&2110~2170MHz
Working Bandwidth	30MHz&65MHz&60MHz
MU Extensible Support the RU Quantity	8
System Gain(MU+RU)	35±3dB(Cable Access)
Maximum Output Power(RF)	-5±2dBm(UL)
Manual Adjustable Attenuator	0~30dB/Step 1dB
Noise Figure@1RU Connection	≤5dB
Optical Output Power	2±3dBm@1310nm/-6±3dBm@1550nm
Fiber Type/Number	Single mode
Optical Wavelength	1310nm/1550nm
Optical Connector Type	8xFC/APC
RF Connector Type	3xN-Female
I/O Impedance	50Ω
Ingress Protection	IP30
Local Monitoring Interface	RJ45
Remote Monitoring	Ethernet/LAN(Web Browser)
Operating Temperature	-0°C~55°C
Relative Humidity	≤95%
Dimensions	485mm×350mm×43mm
Weight	≤5Kg

Mounting Type	Wall Mount
Power Supply	POE
Power Consumption	<30W
Battery Backup/Time	30minutes
MTBF	>50000hours